



## Compatibility

- 21 TRV (2008 or later)
- 21 TRV GS

## Packing List

Firebox Liner

## Important Warnings

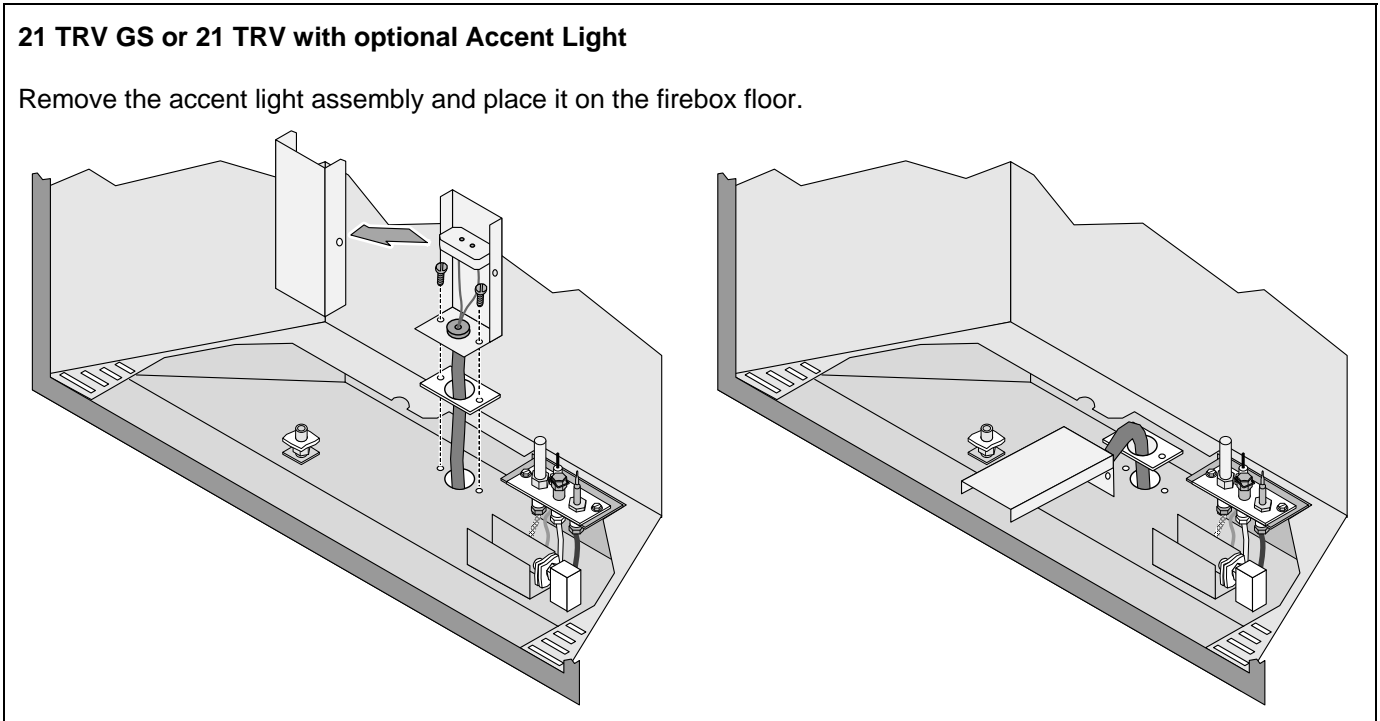
- Turn off gas to the appliance and make sure it has fully cooled prior to conducting service.
- The firebox liner is fragile – take care to prevent damage.

## Installation

- 1 Remove the face, glass, embers, and burner (see the owner's manual for details).

### 21 TRV GS or 21 TRV with optional Accent Light

Remove the accent light assembly and place it on the firebox floor.

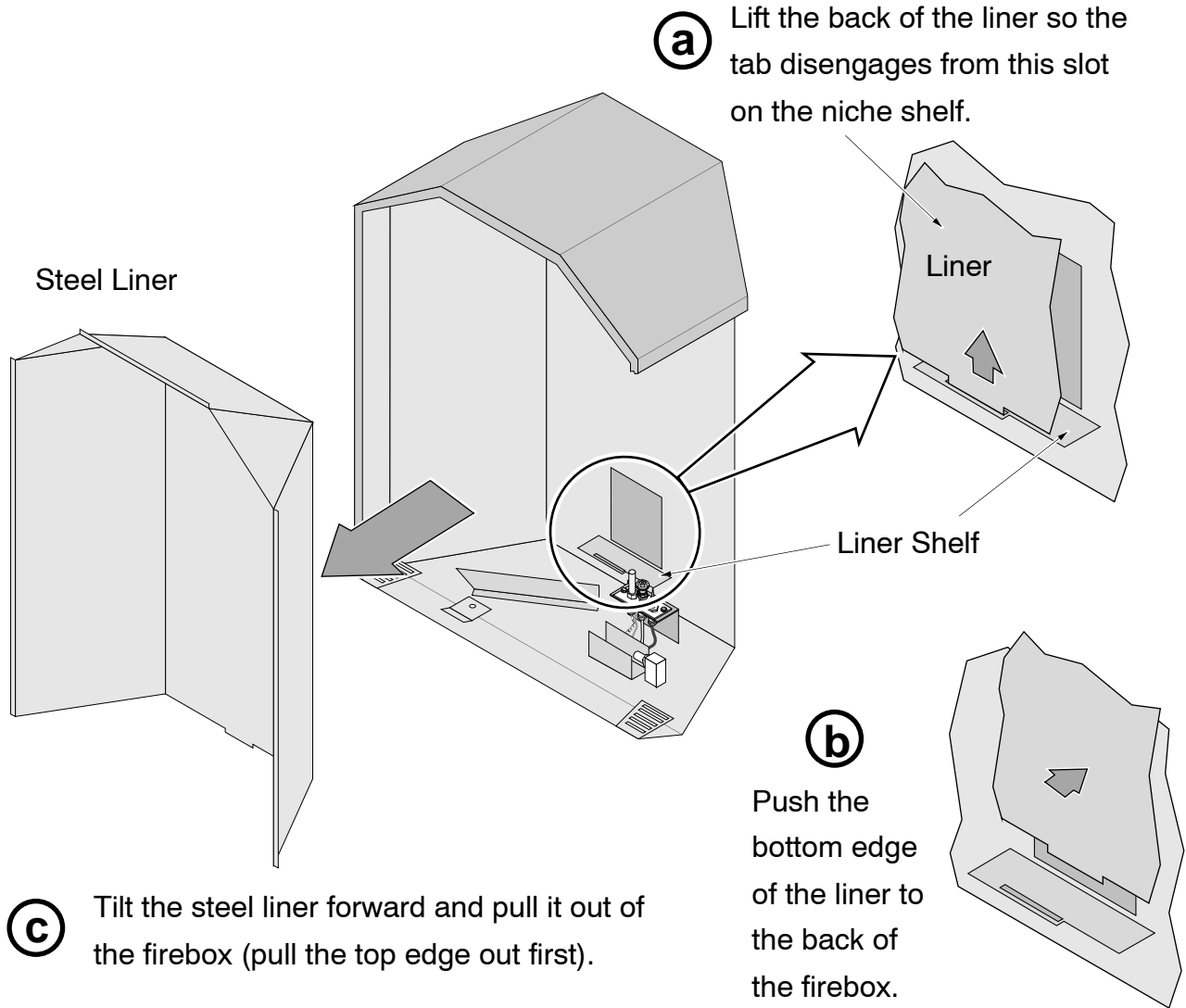




# Hideaway Enamel Firebox Liner

SKU 98500660

2 Follow the directions below to remove and discard the steel liner.



3 Install the enamel liner, following the removal instructions (step 2) in reverse.

4 Restore the fireplace to the correct configuration.

## Cleaning

We recommend cleaning the enamel surface with glass cleaner and a soft cloth.