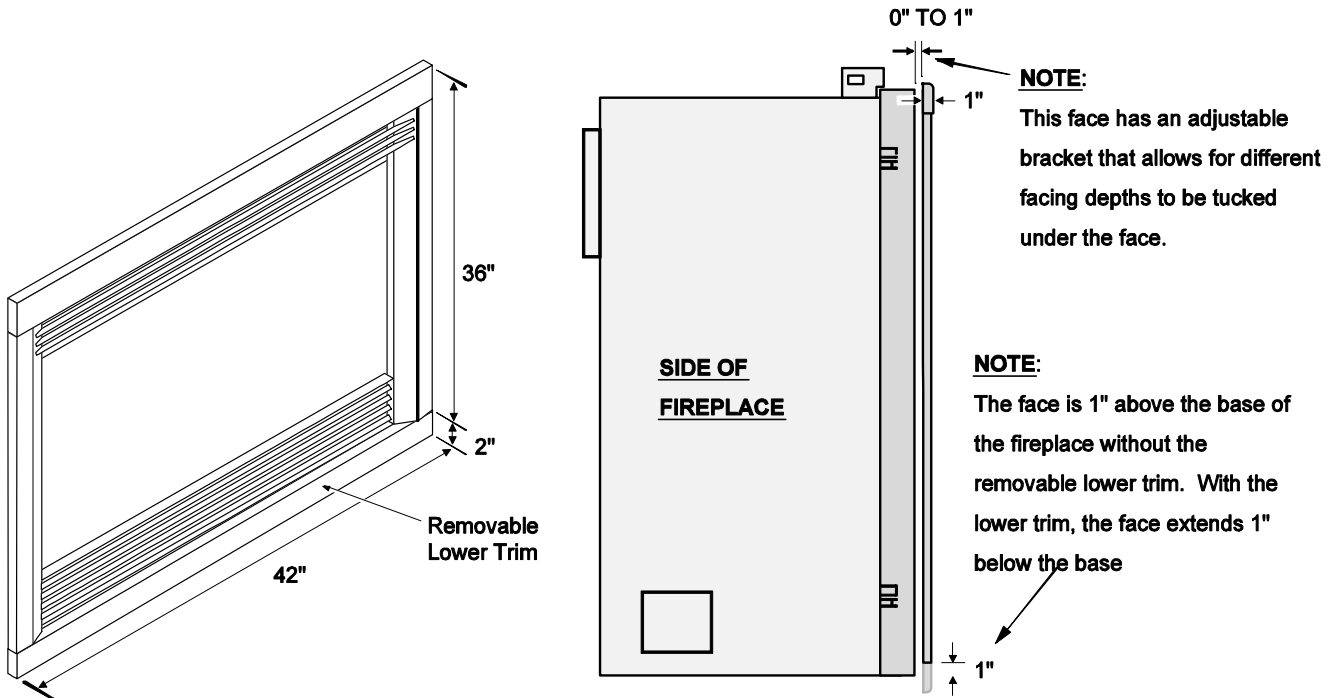


## Packing List

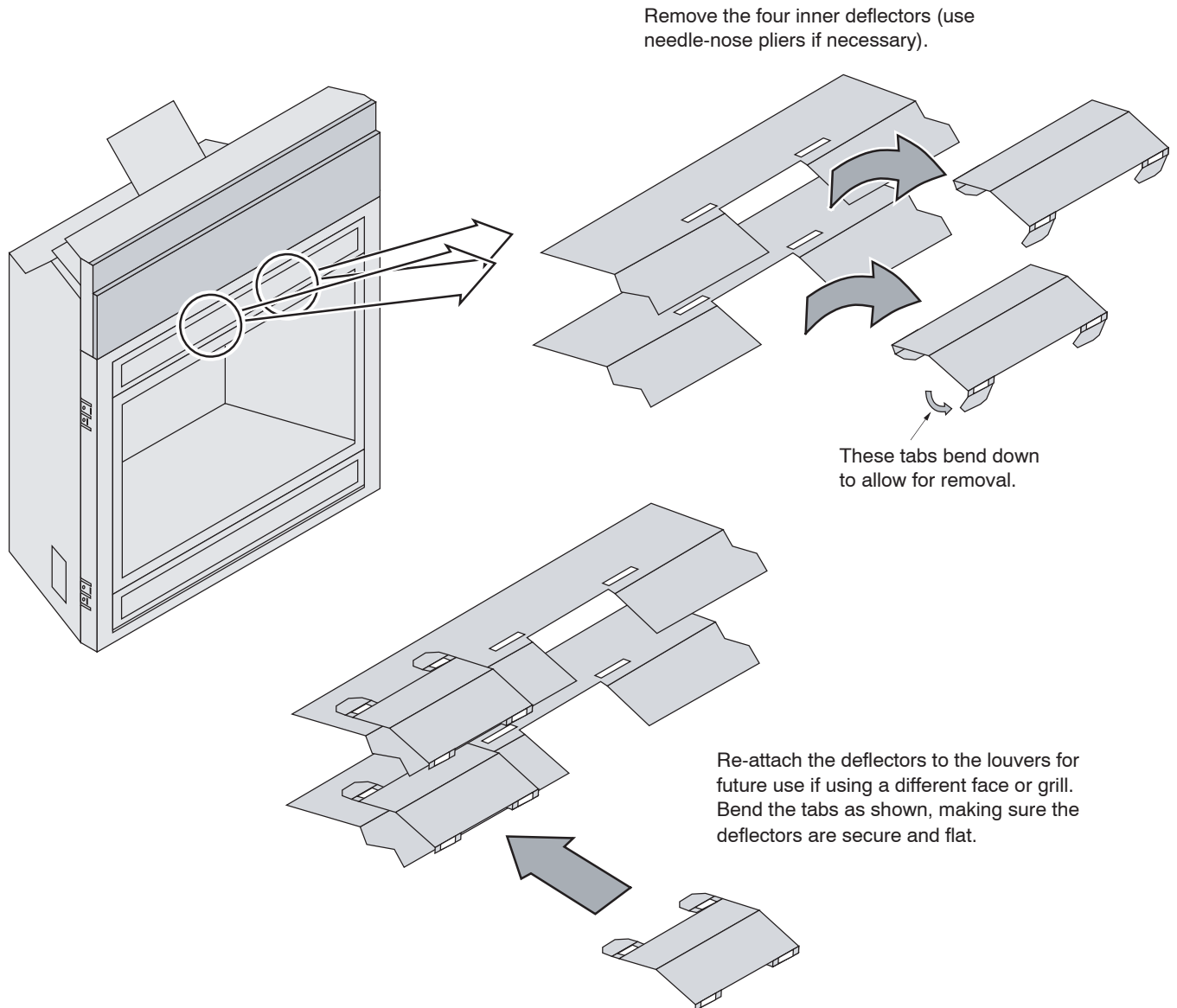
- Face
- (6) #8-3/8" Face Attachment Screws

## Face Details



## Special Instructions for 864HO Fireplaces

The Rosario Face requires the inner grill deflectors to be removed. See the instructions below.



## **Installation**

- 1 Remove the four lock-ties used for shipping (see Figure 1). The face is shipped with the lower trim in place (see Figure 1). This piece is left in place for installations with a lowered hearth. If the hearth is at the same level as the base of the fireplace, remove this trim.

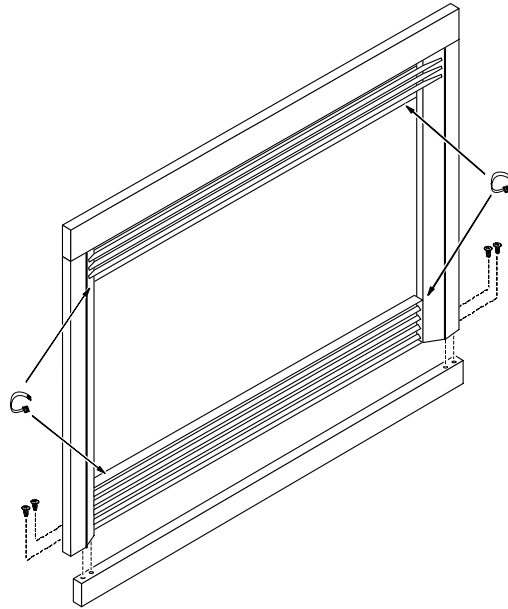


Figure 1

- 2 Remove the glass frame from the fireplace.

# Rosario Winthrop (864) Face Installation Instructions (sku 95800387)

- 3 Attach the face to the fireplace using the included screws (see Figure 2).

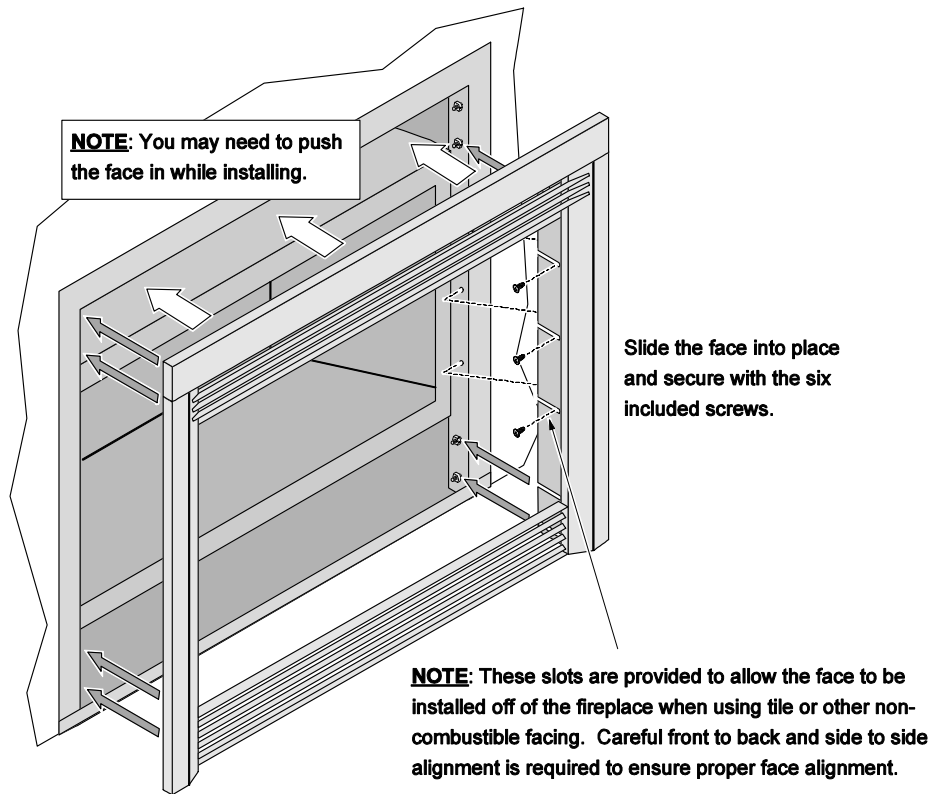


Figure 2

- 3 The upper grill will need to be removed and the lower grill swung down to access the glass latches (see Figure 3). Replace the glass and restore the fireplace to the correct configuration.

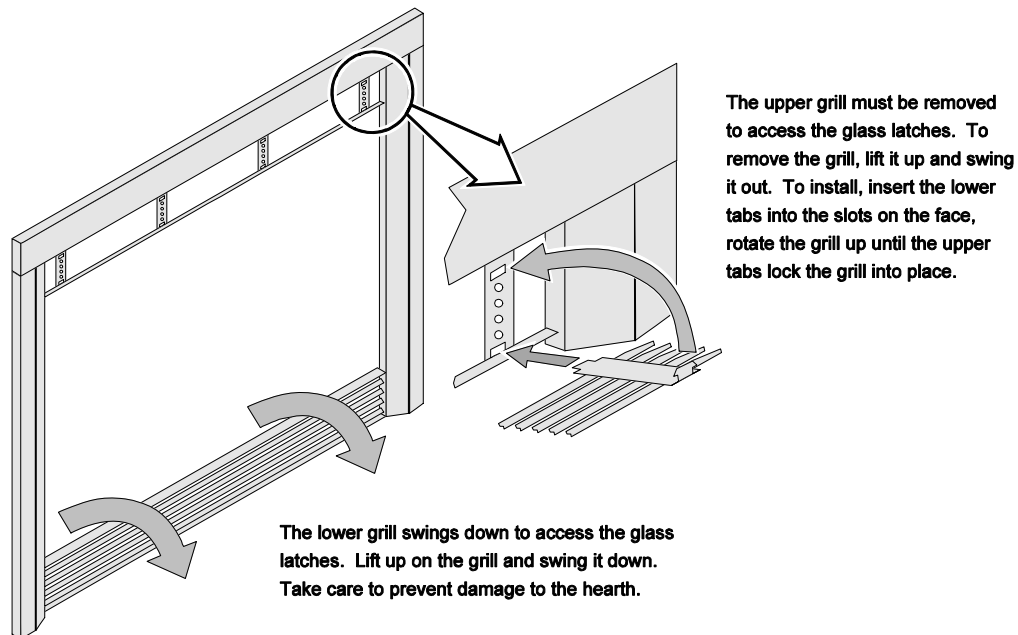


Figure 3