



864 ST Fireback Installation

SKU # 96100184 – 96100186 – 96100189 - 96100190

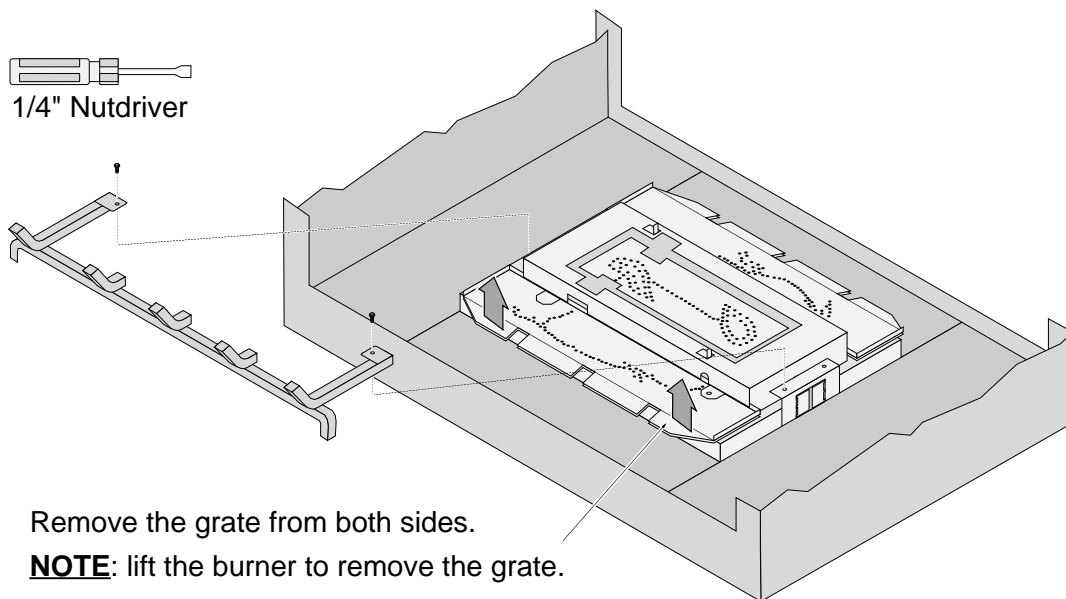
Packing List

- Floor Firebacks (4 pieces)
- (2) Side Firebacks

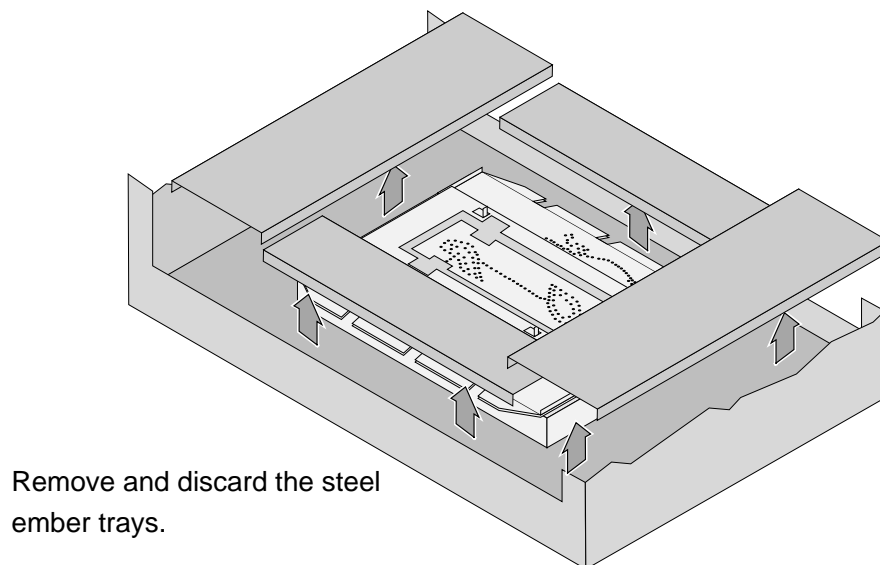
Installation

WARNING Turn off gas to the appliance and make sure it has fully cooled prior to conducting service.

- 1 Remove the glass frame and logs (see the installation manual for details).
- 2 Remove the front and rear grates (see the illustration below).



- 3 Remove and discard the steel ember trays.





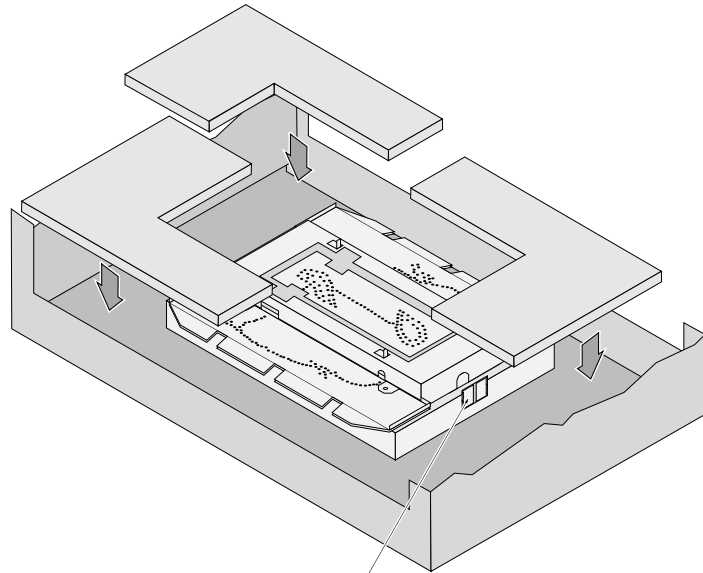
864 ST Fireback Installation

SKU # 96100184 – 96100186 – 96100189 - 96100190

- Carefully place the floor firebacks into position. You must tip them under and around the corners of the burner.
- Carefully replace the front and rear grates (they rest on top of the floor firebacks).

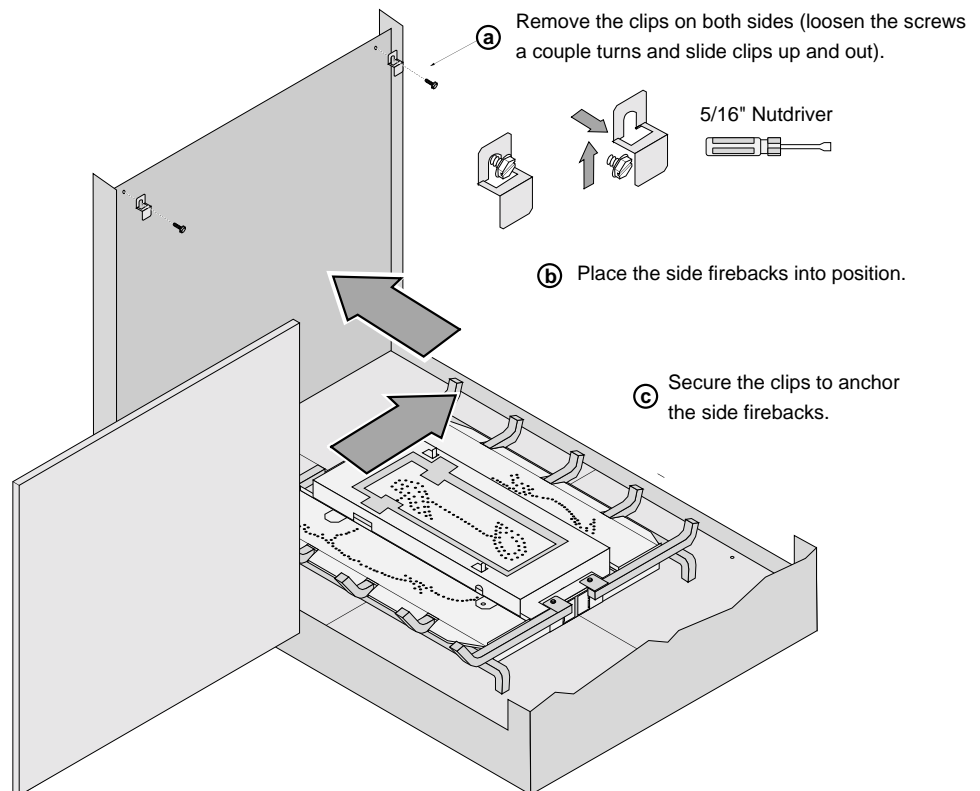
WARNING:

When replacing the grate do not drag the grate across the firebacks (they damage easily). You may need to lift the burner slightly while installing the grate.



NOTE: These tabs are bent out when using the accent light. Make sure to carefully bend them flush if the accent light was previously installed (then reposition them after firebacks are installed).

- Install the side firebacks following the directions below.
- Restore the fireplace to the correct configuration.



The ceramic firebacks are fragile. Ensure proper alignment of individual pieces in each step. To achieve the ideal appearance, you may need to make slight adjustments.