

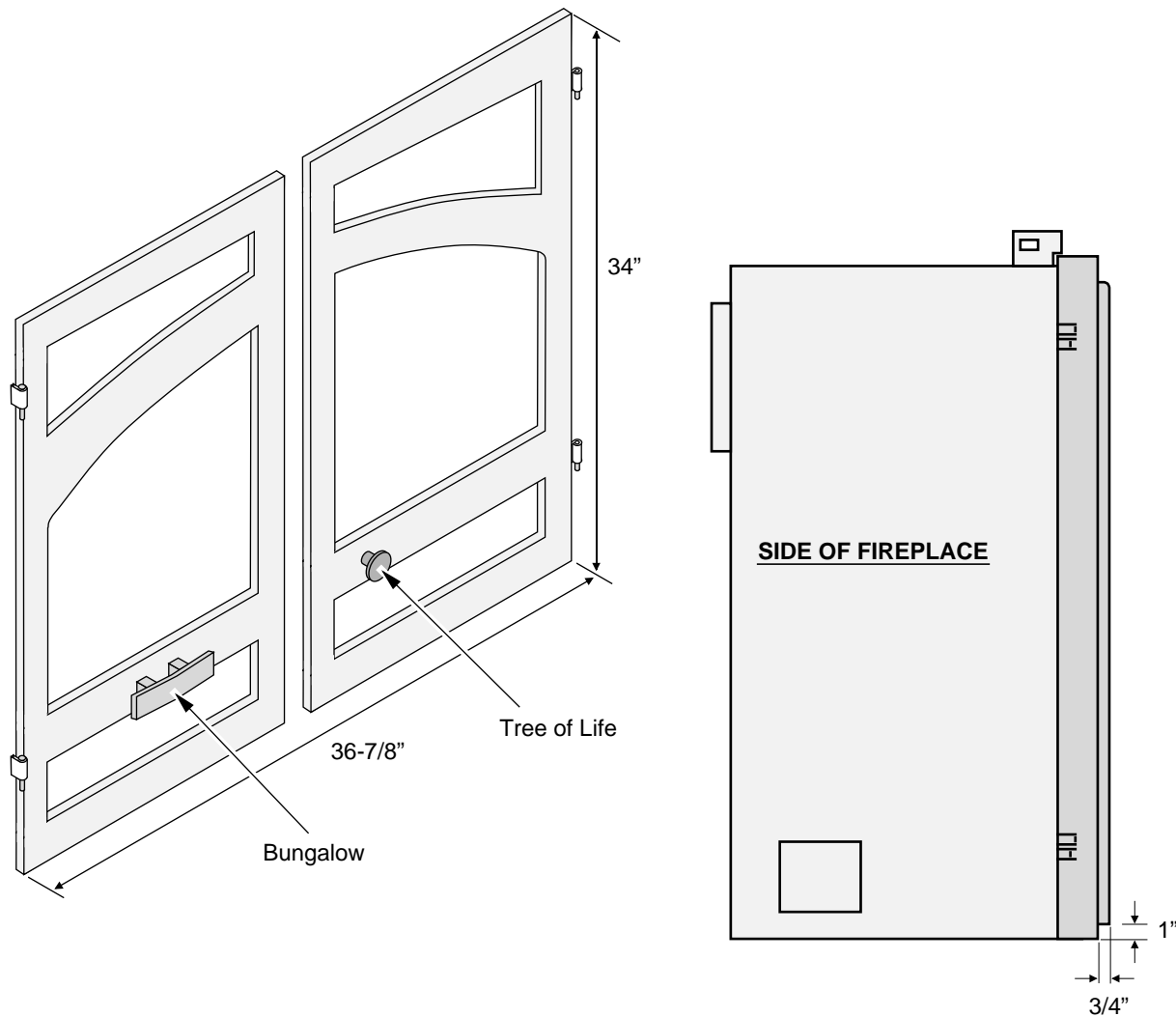
Compatibility:

- 864TRV, 864HH, 864ST Fireplace

Packing List:

- Left and Right Side Door with (2) Magnets Each
- (2) Door Handles
- (4) Optional Mesh Screen Inserts (Bungalow Only)
- (2) Hinge Brackets (for mounting the Doors)
- Upper and Lower Grills (Mesh Screen)
- Glass Frame Cover
- (4) or (2) 8-32 x 1/2" Screws (for handles)
- (2) #10 Washers (Tree of Life only)
- (4) Hinge Pins
- (8) 8-32 Nuts
- (6) #8 x 3/8" Screws (for Hinge Brackets)

Installation Details



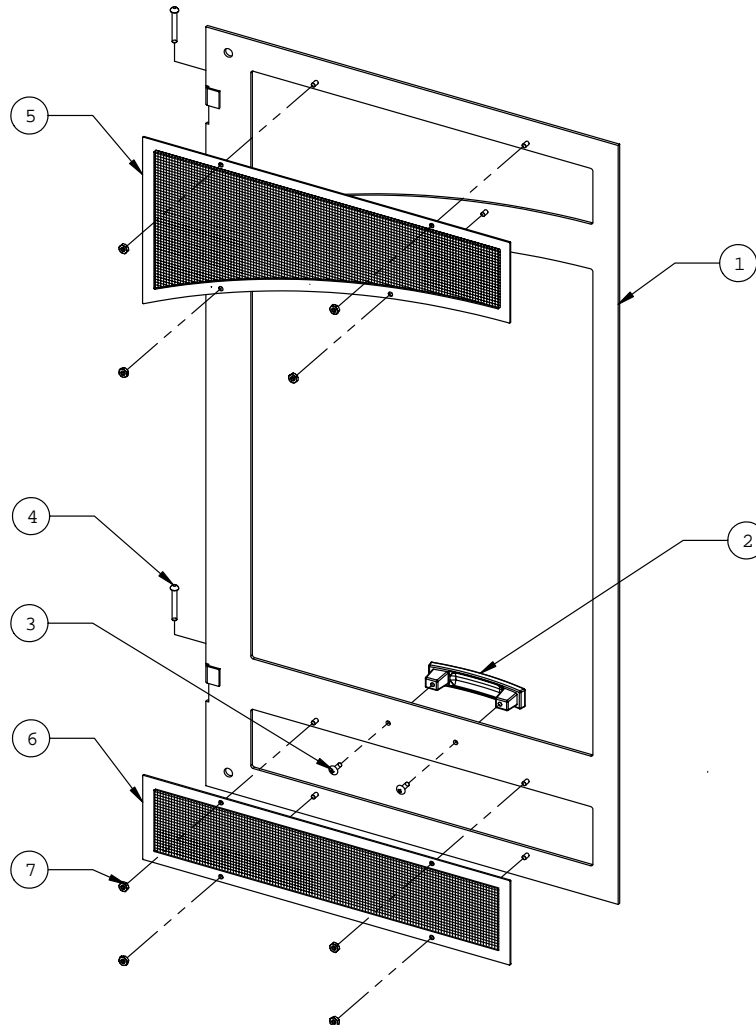
Optional Door Screen Inserts – Bungalow Only

OPTION A - Basket Weave (installed in the doors).

- Place the doors in an upright position. Attach the handle (2) to the door with the included screws (3).
- Slide the hinge pins (4) into place.

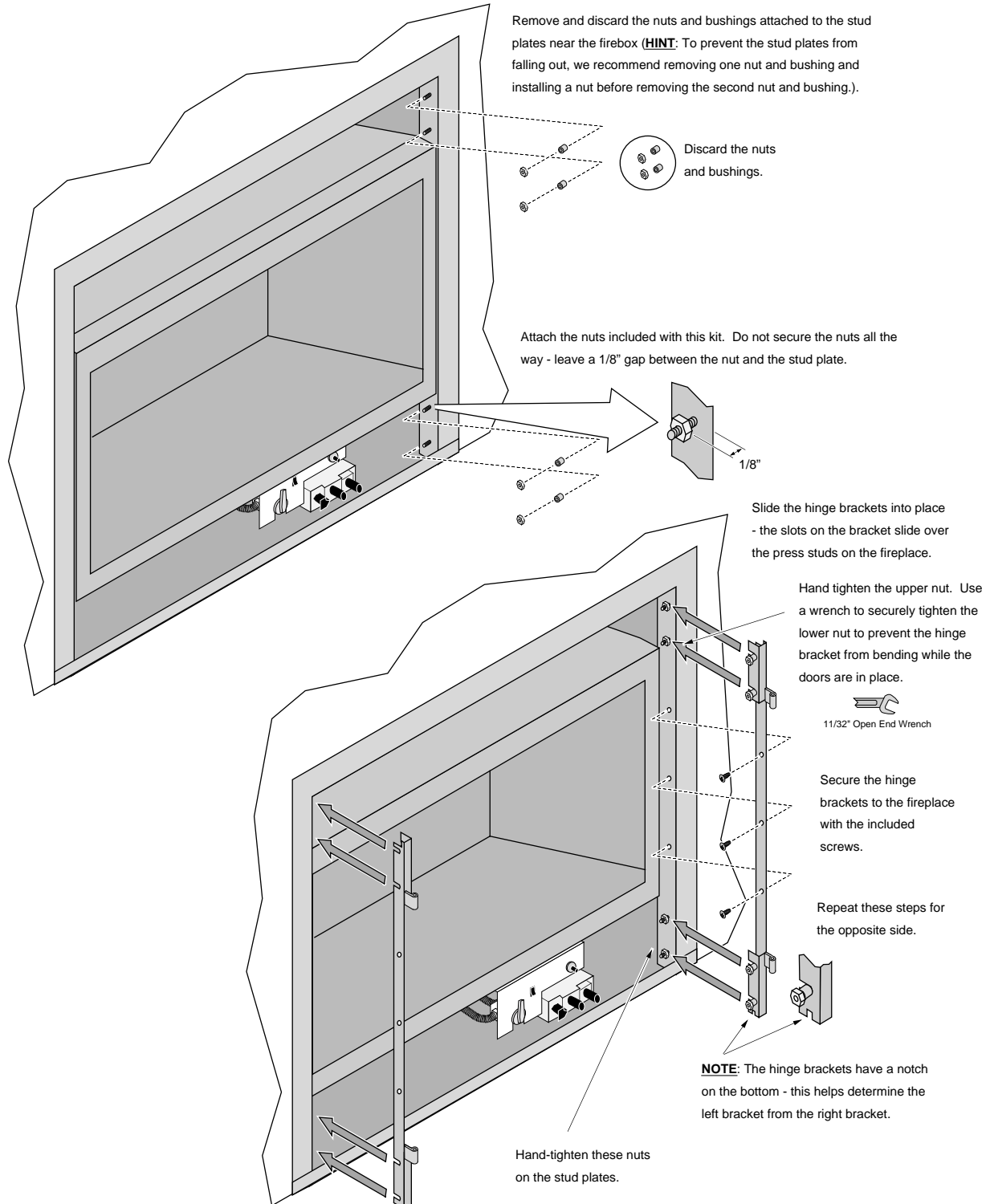
OPTION B – Mesh Door Screen (shipped separately with this kit).

- Place the doors (1) face down on a suitable work surface).
- Remove the nuts (7) holding the upper (5) and lower (6) inserts in place. Remove the inserts and install the mesh screens. Note: the screens have a sheet-metal frame spot-welded to them - make sure the sheet-metal faces outward – this protects the screen and covers the sharp edges. Secure the screens with the nuts removed earlier. Do not over-tighten
- Place the doors in an upright position. Attach the handle (2) to the door with the included screws (3).
- Slide the hinge pins (4) into place.



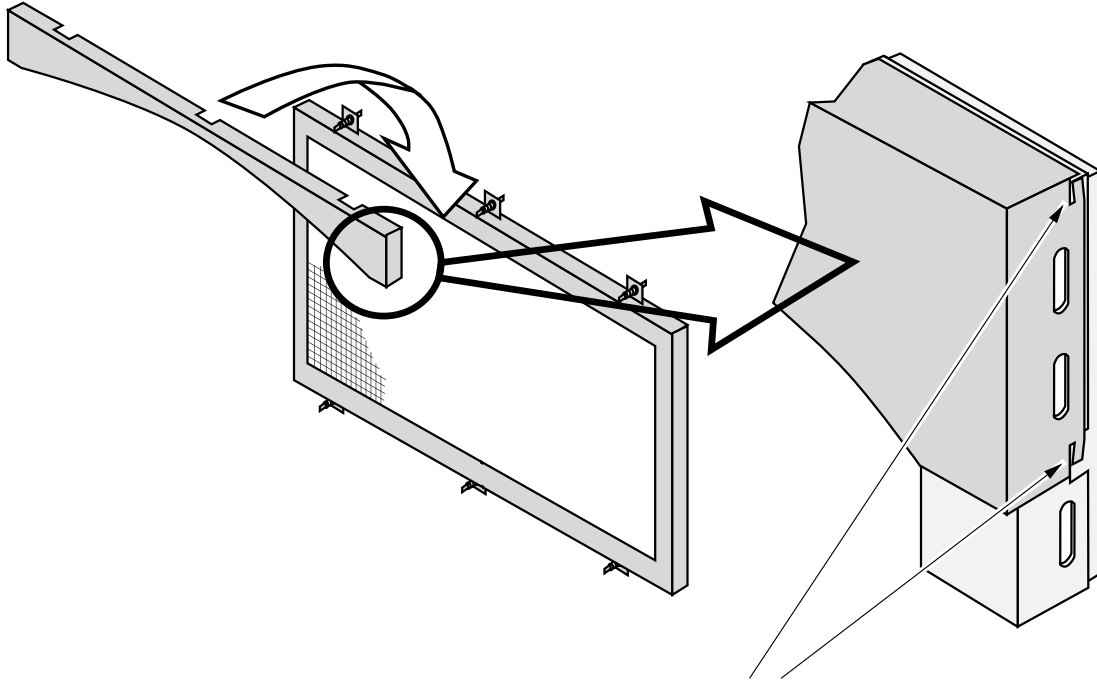
Installation

- 1 Remove the glass frame from the fireplace (see the owner's manual for details).
- 2 Install the hinge brackets onto the fireplace following the directions below.



- 3 Install the glass frame cover following the directions below.

Place the cover over the top of the door frame.



Push these pins inwards
to lock the cover in place.

- 4 Attach the glass frame to the fireplace.

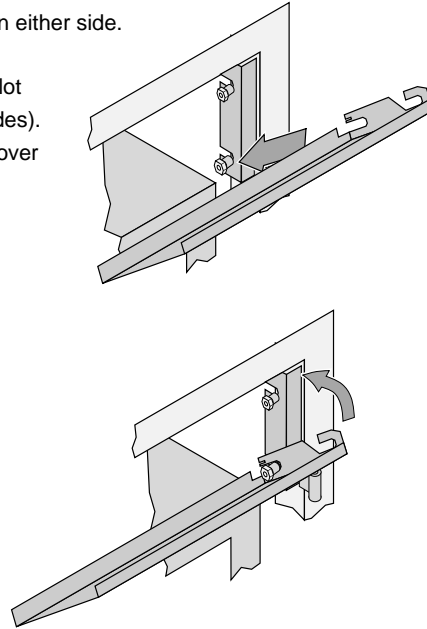
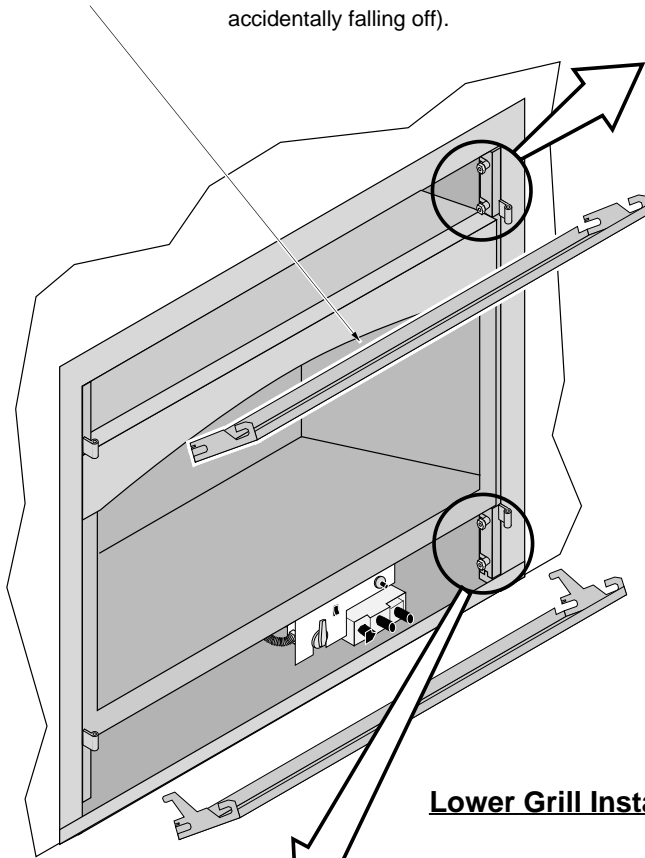
5 Install the upper and lower grills (mesh screens) following the directions below.

NOTE: The upper and lower grills are different. The lower grill has end-stops on either side.

Upper Grill

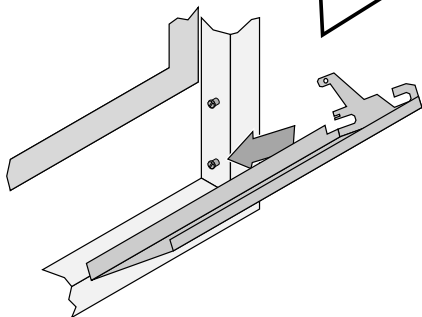
Installation

Hold the grill at an angle and insert the lower slot over the bushing on the hinge bracket (both sides). You may need press on the grill to get the tab over the bushing (this prevents the grill from accidentally falling off).

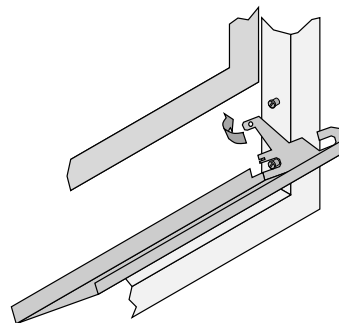


Swing the grill upwards to engage the upper slot. You will need to lift the grill slightly to get it over the bushing. Once in place the grill is held in place by gravity.

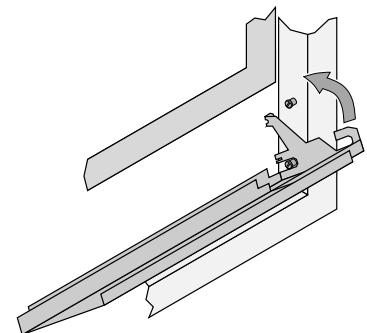
Lower Grill Installation



Hold the grill at an angle and insert the lower slot over the bushing on the hinge bracket (both sides). You may need to press on the grill to get the tab over the bushing (this prevents the grill from accidentally falling off).



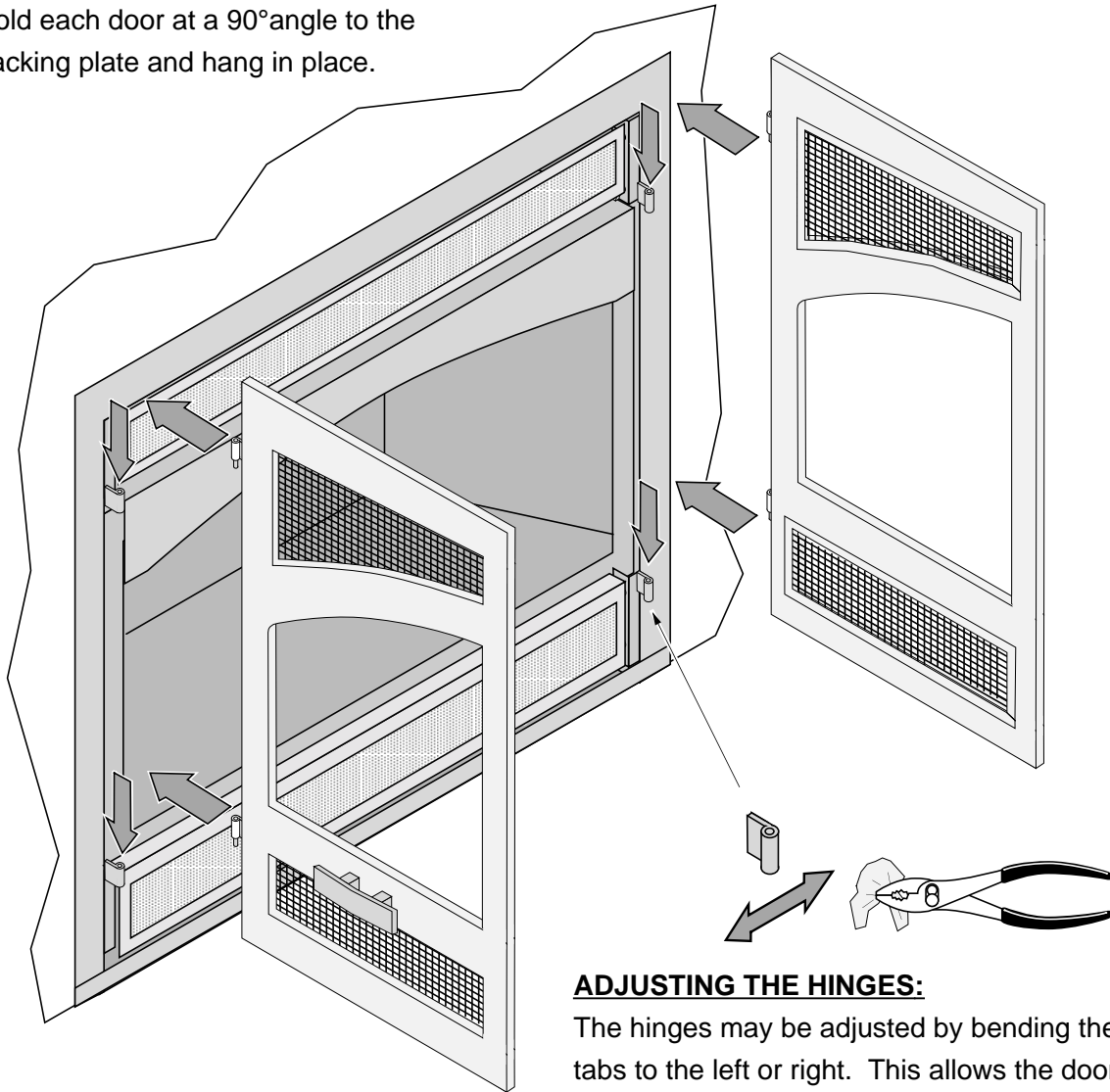
Bend the end-stop tab over on both sides. This allows the grill to swing forward without disengaging.



Swing the grill upwards to engage the upper slot. You will need to lift the grill slightly to get it over the bushing. Once in place the grill is held in place by gravity.

- 6 Insert the hinge pins into the hinges on the door. Hold the doors at a 90° angle to the fireplace and hang the doors on the hinge brackets (see the illustration below). Swing the doors closed - NOTE: the left door closes behind the right door.

Hold each door at a 90° angle to the backing plate and hang in place.



ADJUSTING THE HINGES:

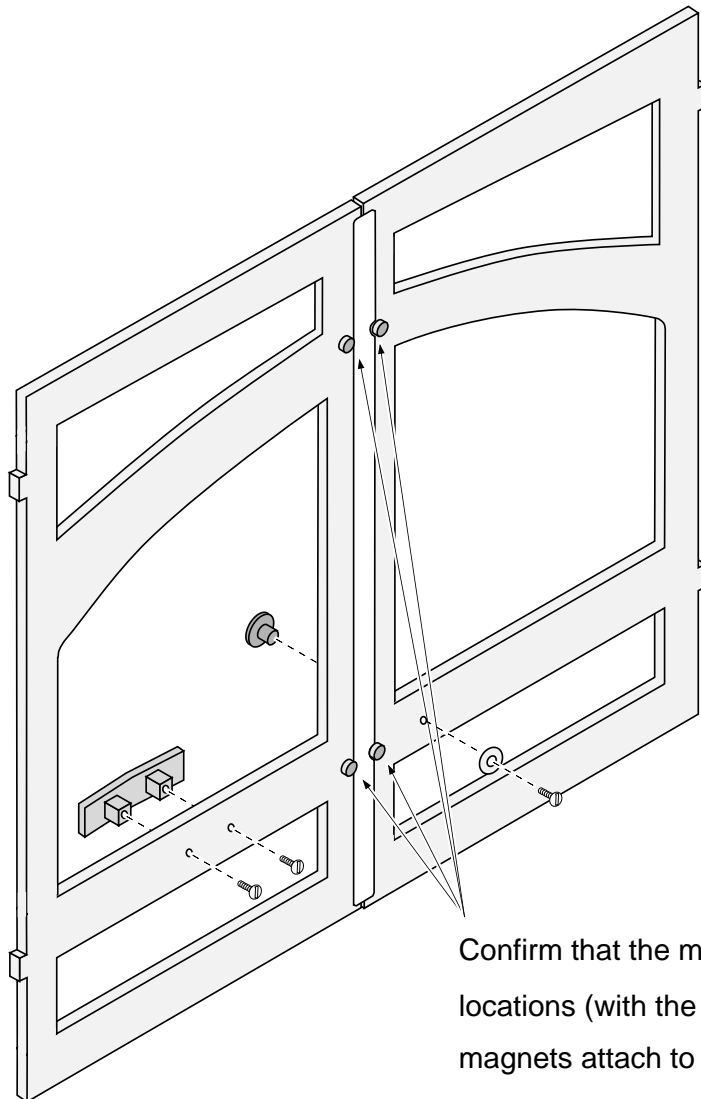
The hinges may be adjusted by bending the tabs to the left or right. This allows the doors to be aligned left or right, top to bottom.

NOTE: place a rag over the hinge posts before grasping the hinge posts with pliers to prevent scratching.

NOTE FOR INSTALLATIONS WITH THICK FACINGS (e.g.: BRICK, ROCK): The hinge pins can be slid into place after the doors are aligned over the hinge brackets. This eliminates the need to "drop" the doors into place.

- 7 Magnets are shipped attached to the doors. Position the magnets on the back side of both doors as shown below. The magnets have felt attached to one side – make sure the felt side contacts the fireplace (this keeps the magnets adhered to the door, not the fireplace). Attach the handles as shown below.

NOTE: The magnets are shipped attached to the doors. These powerful magnets may require pliers to properly position. Take care with the magnets to prevent damage and keep them away from children.



Attach the door handles as shown to the left. The tree of life handles require a washer and screw, the bungalow requires two screws.

Confirm that the magnets are in these locations (with the felt facing up). These magnets attach to the doors and help keep the doors shut when in use.