

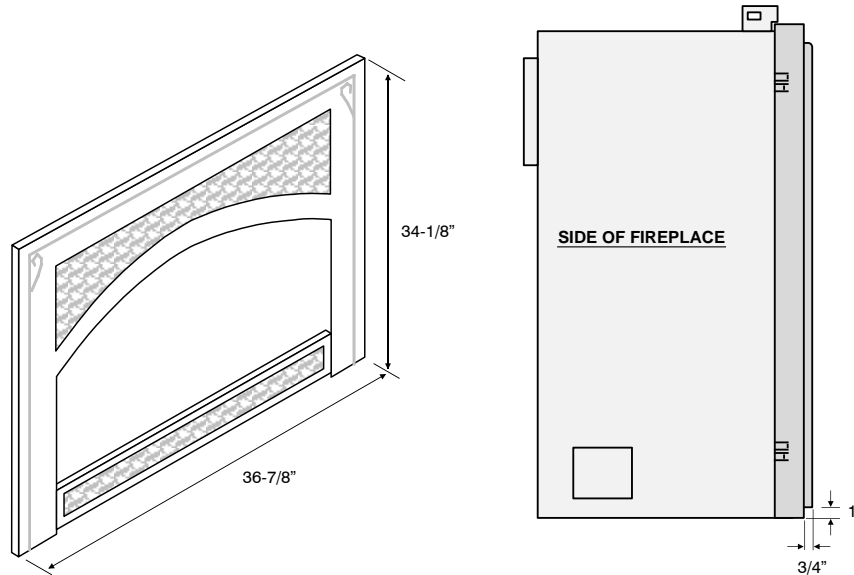
Compatibility:

- 864TRV Fireplace
- 864ST Fireplace
- 864HO Fireplace

Packing List:

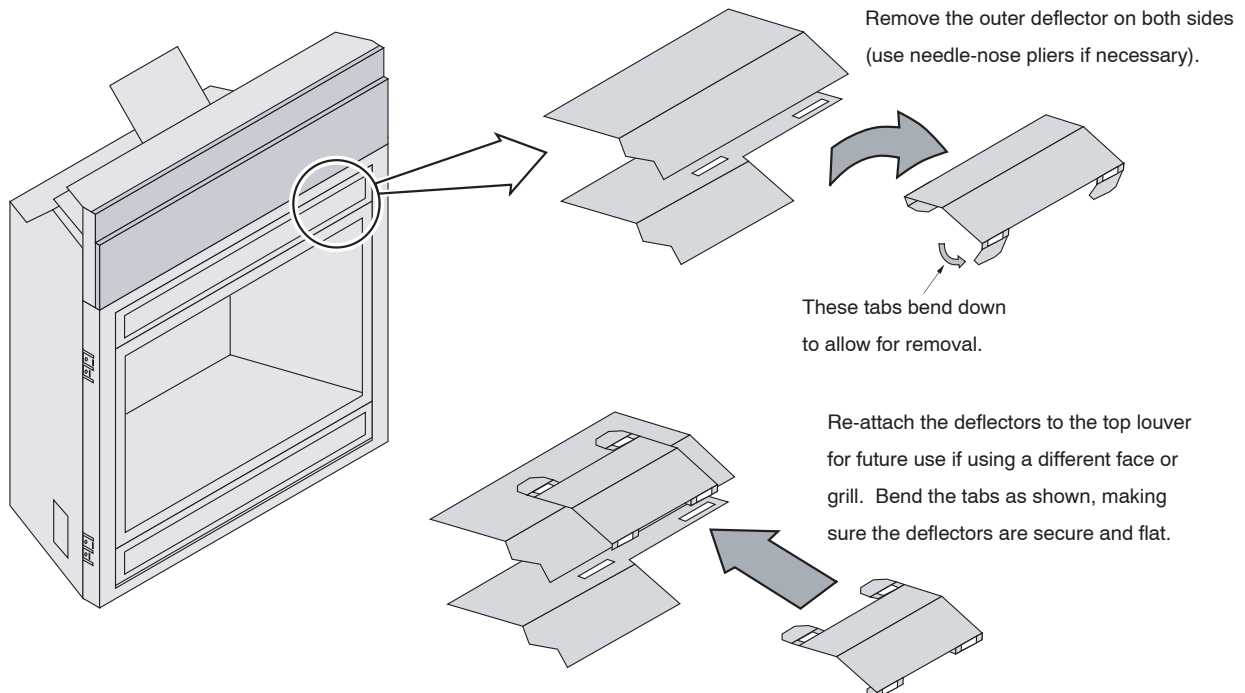
- Face
- (4) Face Mounting Brackets (Upper Left, Upper Right, Lower Left, Lower Right)
- (4) Screws
- Glass Frame Cover
- (8) Hex Nuts

Installation Details



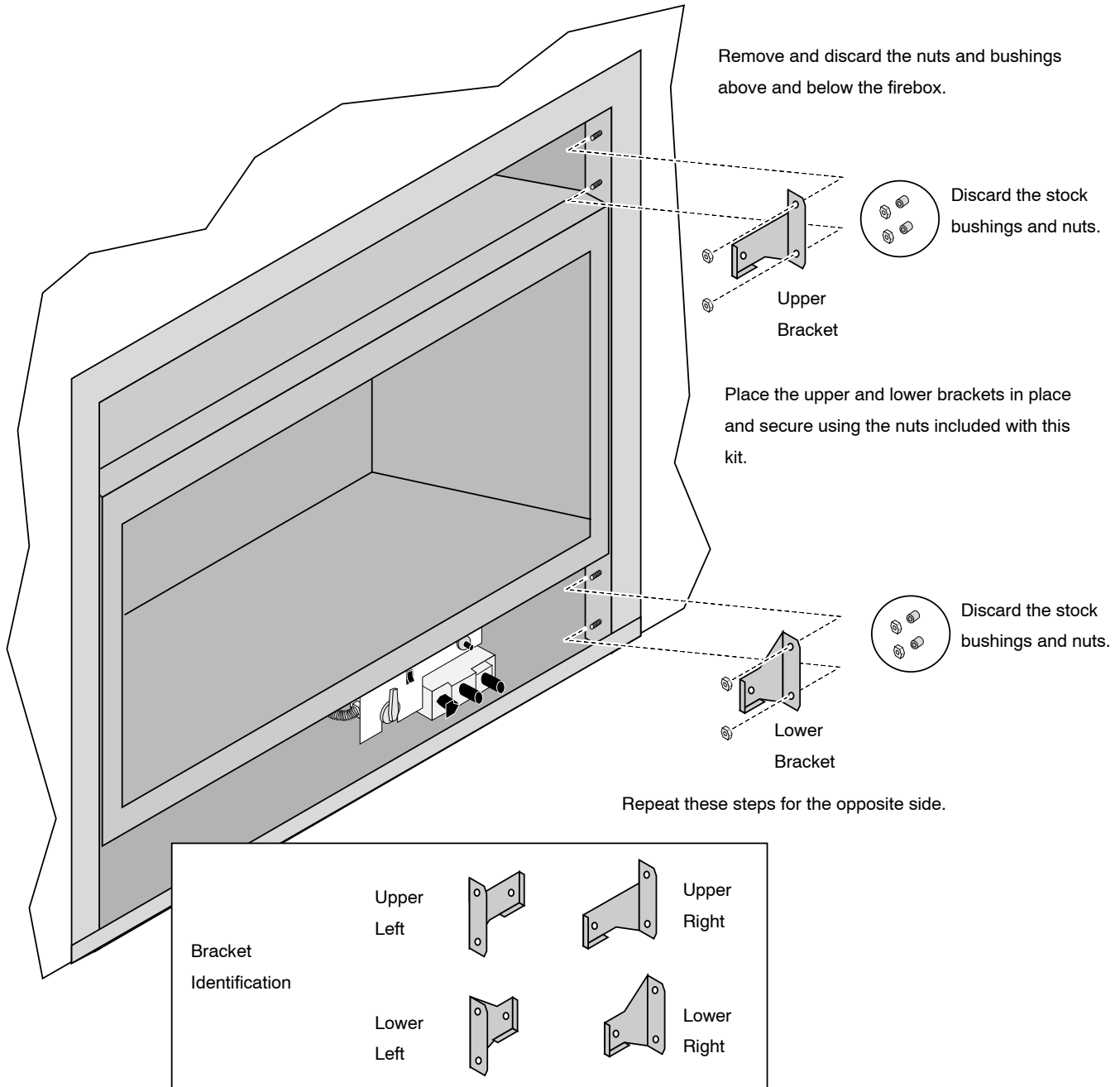
Special Instructions for 864HO Fireplaces

This face requires the outer grill deflectors to be removed. See the instructions below.



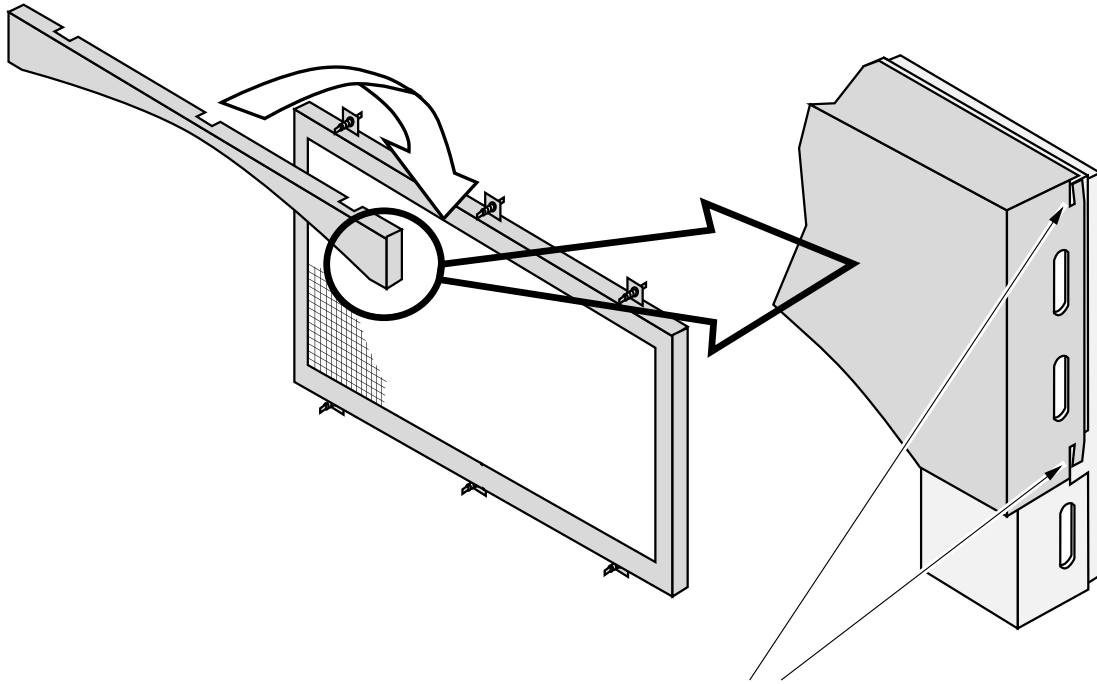
Installation

- 1 Remove the glass frame from the fireplace (see the owner's manual for details).
- 2 Install the face mounting brackets onto the fireplace following the directions below.



- 3 Install the glass frame cover following the directions below.

Place the cover over the top of the door frame.

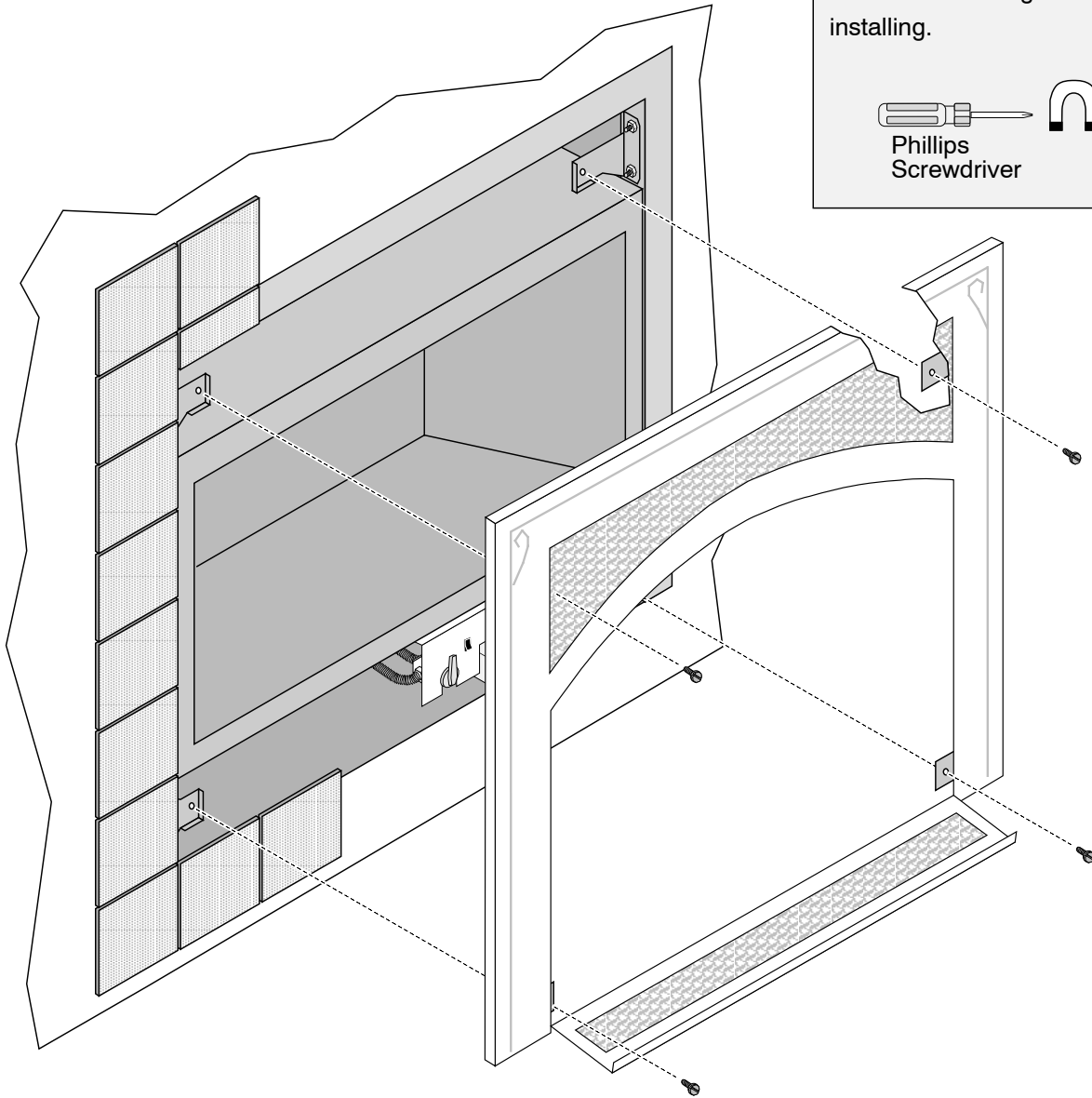
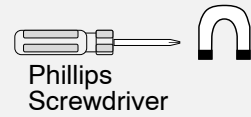


Push these pins inwards
to lock the cover in place.

- 4 Attach the glass frame to the fireplace.

- 5 Install the face with the four included screws (see the illustration below).

HINT: Use a magnetic-tipped screwdriver on the upper screws. This prevents the screws from falling while installing.



Plated Surfaces

Use denatured alcohol and a soft cloth to clean plated surfaces. Marks left on the surface may damage the face.

