



TRAVIS INDUSTRIES  
HOUSE OF FIRE

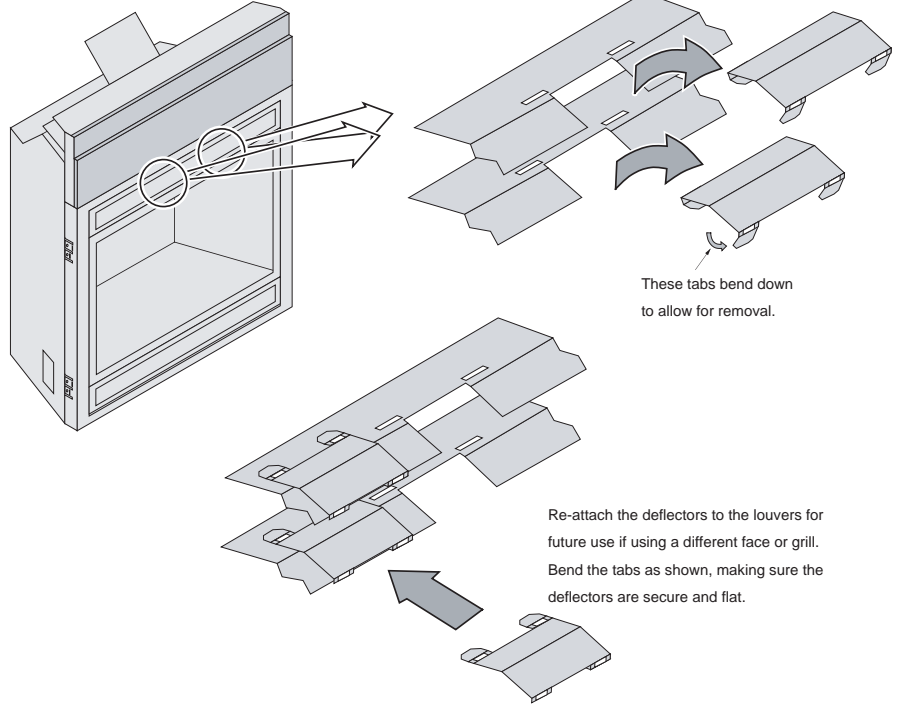
# 864 (TRV, ST, HO) Grill Installation

SKU # 91002160 - 91002161 - 91002162 - 91002163 - 91002164 - 91002165

## Special Instructions for 864HO Fireplaces & Louvered Grills (91002162, 91002163, 91002165)

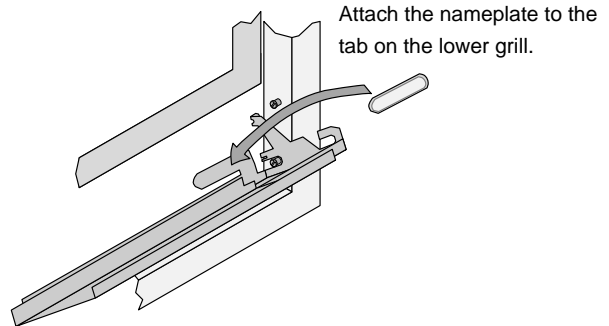
Louvered grills require the inner grill deflectors to be removed. See the instructions to the right.

Remove the four inner deflectors (use needle-nose pliers if necessary).



## Nameplate Installation

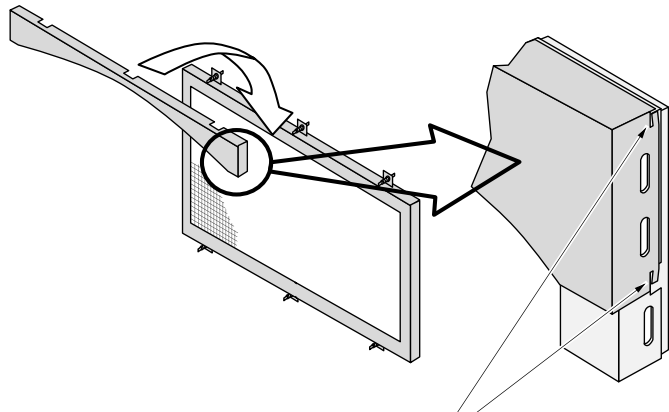
On certain models the nameplate is shipped loose. Attach the appropriate nameplate as shown to the right.



## FPX Grills Only

Remove the glass frame to install the optional glass frame cover.

Place the cover over the top of the door frame.





# 864 (TRV, ST, HO) Grill Installation

SKU # 91002160 - 91002161 - 91002162 - 91002163 - 91002164 - 91002165

## Installation

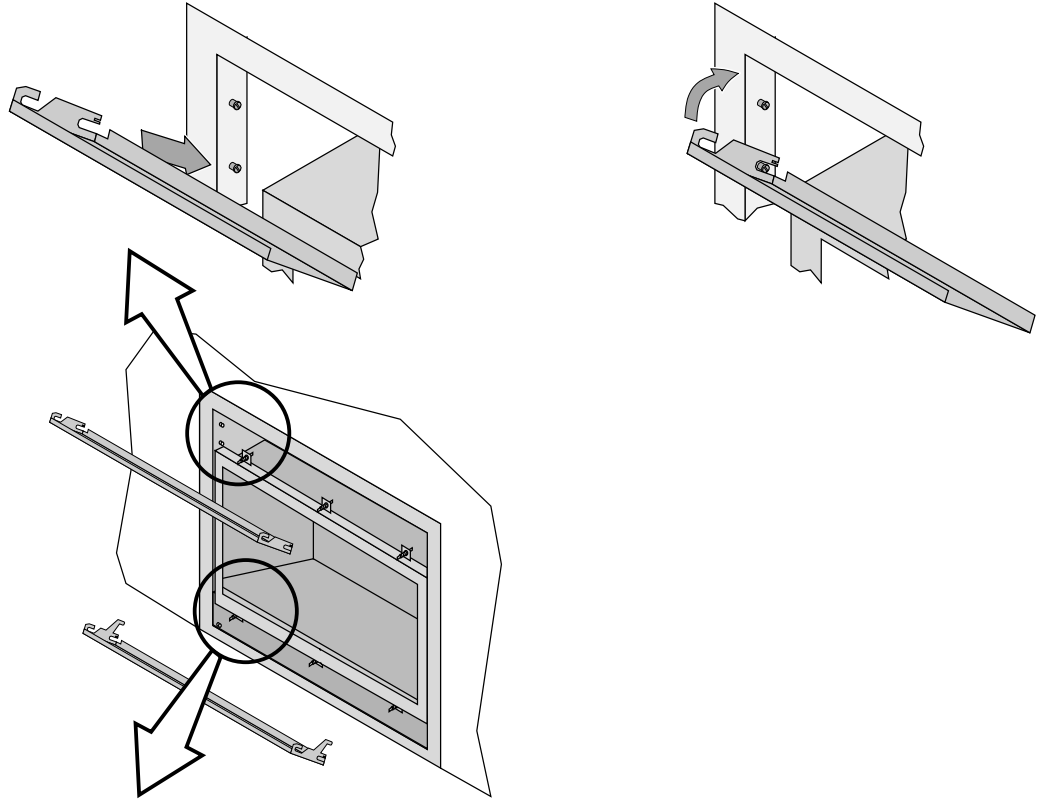
NOTE: The glass frame should be in place before installing the grills.

### Upper Grill

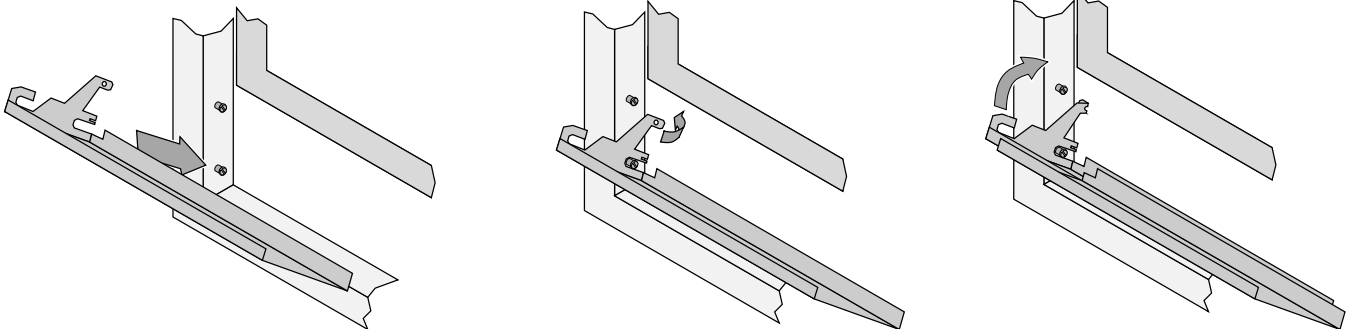
### Installation

Hold the grill at an angle and insert the lower slot over the bushing on the fireplace (both sides). You may need press on the grill to get the tab over the bushing (this prevents the grill from accidentally falling off).

Swing the grill upwards to engage the upper slot. You will need to lift the grill slightly to get it over the bushing. Once in place the grill is held in place by gravity.



### Lower Grill Installation



Hold the grill at an angle and insert the lower slot over the bushing on the fireplace (both sides). You may need press on the grill to get the tab over the bushing (this prevents the grill from accidentally falling off).

Bend this the tab over on both sides. This is the end-stop for the lower grill, it allows the grill to swing forward.

Swing the grill upwards to engage the upper slot. You will need to lift the grill slightly to get it over the bushing. Once in place the grill is held in place by gravity.