

CHECK CONDITION OF SHIPMENT

Upon receipt of this kit, check the condition of the packaging. Damage to the package should be noted on the carrier's freight receipt. Any damage claims as a result of shipping must be handled through the shipper. Travis Industries will provide assistance in resolving shipping claims or replacing items not included in the package. Please report any missing items immediately.

COMPATIBILITY

- Avalon Cedar

PACKING LIST

- Door
- Grill
- Nickel Ashlip Trim & Nameplate (nickel kit only)

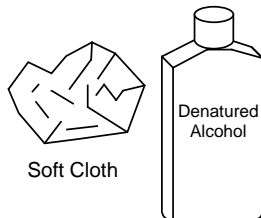
INSTALLATION INSTRUCTIONS

NOTE: Remove all of the protective tape prior to installing.

Follow the directions to the right to install the door and grill.

Warning:

Clean the plated surface prior to starting the stove. Any marks left on the surface may become etched-in by the heat of the stove. Use denatured alcohol and a soft cloth to clean.



Remove the door by sliding it up and off the door frame.

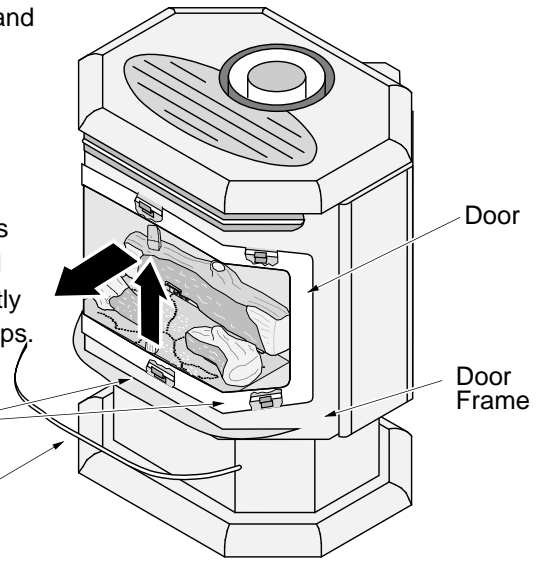
Slide the new door onto the door frame.

HINT: align the bottom joggle clips over the brackets on the door and slide into place. Then lift up slightly on the door to attach the upper clips.

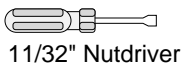
The door is held in place with six joggle clips.

NICKEL TRIM KIT ONLY

- * Replace the ashlip trim
- * Replace the nameplate



Open the door to access the grill. Remove the grill by removing the two nuts holding it in place.



Install the new grill with the same nuts.

